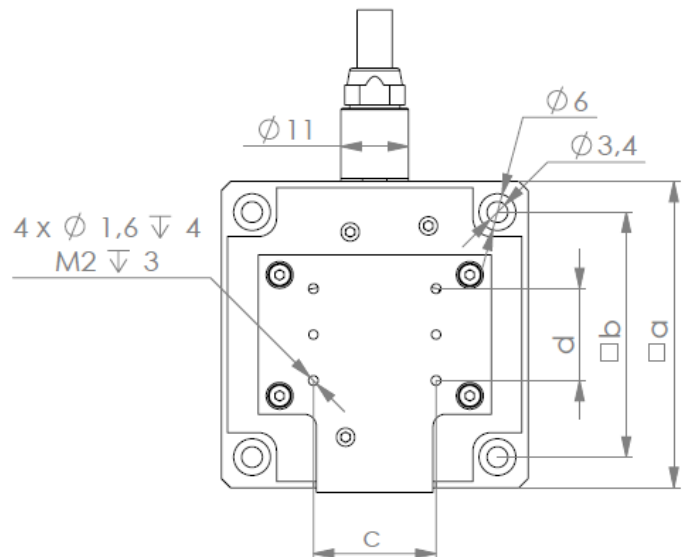
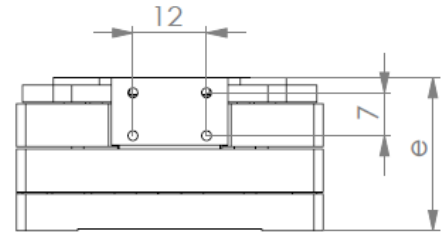


Product-Specification

Product	Piezo XY-Stages, with Capacitive Sensors						
Product-Number	L2C-D00100	L2C-D00300	L2C-D00600	L2C-D01200	Unit	Tolerance	
Displacement, closed-loop	100	300	600	1200	μm	±1%	
Resolution	0.5	1.5	3.0	6	nm	RMS, typ.	
Linearity	0.02				%	typ.	
Repeatability	5	20	40	80	nm	typ.	
Pitch/Yaw	±3	±3	±6	±12	μrad	typ.	
Load	1				kg	max.	
Push/Pull	50/20		30/10		N	max.	
Stiffness	1.6	0.3	0.15	0.1	N/μm	typ.	
Resonance, unloaded	900	425	225	150	Hz	typ.	
El. Cpctnc. /axis @ 1V eff. 1kHz	2.2	3.3	4.4	13.2	μF	±10%	
Body/Platform-Material	stainless steel/aluminum						
Operating Temperature	-20..80				°C		

Options:

- Vacuum-Compatibility
- Dowel-Pins
- Suitable controller: EBC-120320



	L2C-Dxx100	L2C-Dxx300	L2C-Dxx600	L2C-Dx1200
a	40	50	60	90
b	34	40	50	70
c	15	20	20	20
d	12	15	15	15
e	25	25	25	30