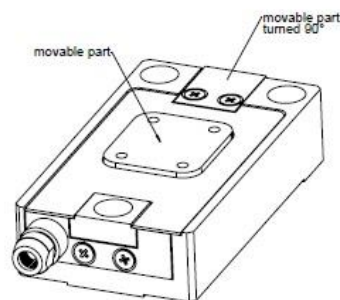
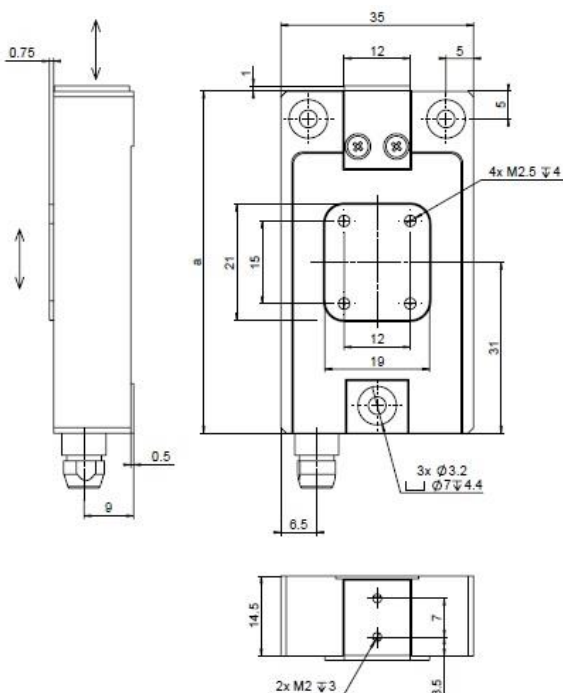


Product-Specification

Product	Piezo Linear Stages, Direct Drives LPO without sensor LPS with strain-gage sensor (SGS), LPC with capacitive sensor (cap).			
	Product-Number	LPa-b00045	LPa-b00090	Unit
Displacement (0..150 V)	45	90	μm	±10%
Displacement (-45..180 V)	72	143	μm	±10%
Resolution, LPO and open loop	0.2	0.4	nm	typ.
Resolution, LPS	1	2		
Resolution, LPC	0.3	0.5		
Linearity, LPS	0.2	0.2	%	typ.
Linearity, LPC	0.02	0.02		
Repeatability, LPS	5	10	nm	typ.
Repeatability, LPC	4	8		
Push/Pull	200/25	200/25	N	max.
Stiffness	21	10	N/μm	typ.
Resonance, unloaded	3,000	2,000	Hz	typ.
El. Capacitance @ 1V eff. 1kHz	3.3	6.6	μF	typ.
Body-Material	stainless steel			
El. Connectors	LPO: Lemos LPS and LPC: DSub15			
Operating Temperature	-20..80 °C			

Options:

- Vacuum-Compatibility or non-magnetic
- Suitable driver, LPO, EBO-060100
- Suitable controller, LPS, EBD-060210
- Suitable controller, LPC, EBC-120310



	a [mm]
LPx-xx0045	62
LPx-xx0090	92